



US005584155A

# United States Patent [19]

[11] **Patent Number:** 5,584,155

Watanabe

[45] **Date of Patent:** Dec. 17, 1996

## [54] ROOF PLATE FOR LONGITUDINAL ROOFING

[75] Inventor: **Satoru Watanabe**, Kanagawa-ken, Japan

[73] Assignee: **Gatan Beauty Industry Co., Ltd.**, Fujisawa, Japan

[21] Appl. No.: **120,885**

[22] Filed: **Sep. 13, 1993**

### [30] Foreign Application Priority Data

Sep. 14, 1992 [JP] Japan ..... 4-269084

[51] Int. Cl.<sup>6</sup> ..... **E04D 1/00**

[52] U.S. Cl. .... **52/538; 52/463; 52/466**

[58] Field of Search ..... 52/459, 460, 461, 52/465, 466, 469, 470, 582.1, 582.2, 537, 538, 463

### [56] References Cited

#### U.S. PATENT DOCUMENTS

550,325	11/1895	Kinnear	.....	52/465
993,281	5/1911	Todd	.....	52/537
1,329,794	2/1920	Moomaw	.....	52/537 X
4,583,339	4/1986	Cotter	.....	52/466
5,152,115	10/1992	Cotter	.....	52/466

Primary Examiner—Carl D. Friedman  
Assistant Examiner—Creighton Smith  
Attorney, Agent, or Firm—Stroock & Stroock & Lavan

### [57] ABSTRACT

A roof plate for longitudinal roofing capable of exhibiting increased strength against a wind pressure and preventing rainwater from entering connection regions between the roof plates due to a capillary action and blowing of rainstorm against the connection regions. A plurality of the roof plates which are formed into a predetermined length in a longitudinal direction are longitudinally connected to each other in order for the purpose of assembling a roof. The roof plate includes a flat plate body, lateral rising connection sections provided on both lateral sides of the plate body, and longitudinal connection sections provided on both longitudinal ends of the plate body. The longitudinal connection sections include an eaves side connection section and a ridge side connection section, wherein the ridge side connection section includes a downwardly oblique portion and a support portion outwardly extending from the downwardly oblique portion and the eaves side connection section includes an engagement portion formed by downwardly folding an eaves side end of the plate body to define a gap therein. The longitudinally adjacent roof plates are connected through the longitudinal connection sections to each other.

14 Claims, 15 Drawing Sheets

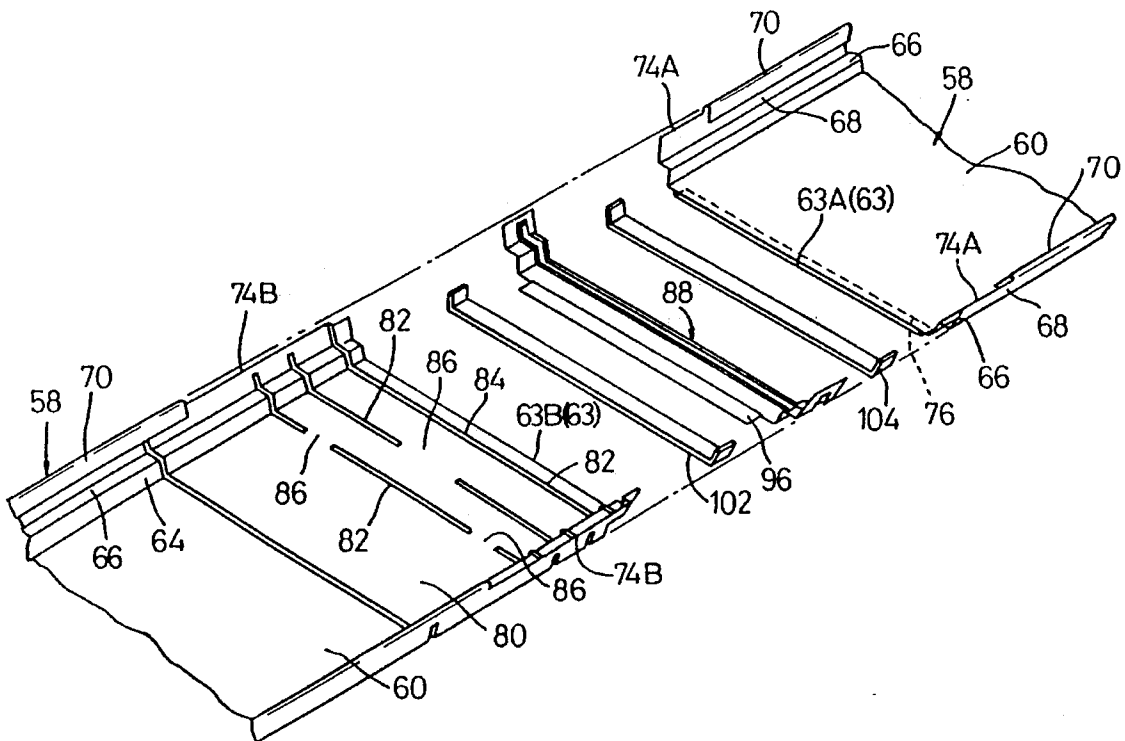


Fig. 1

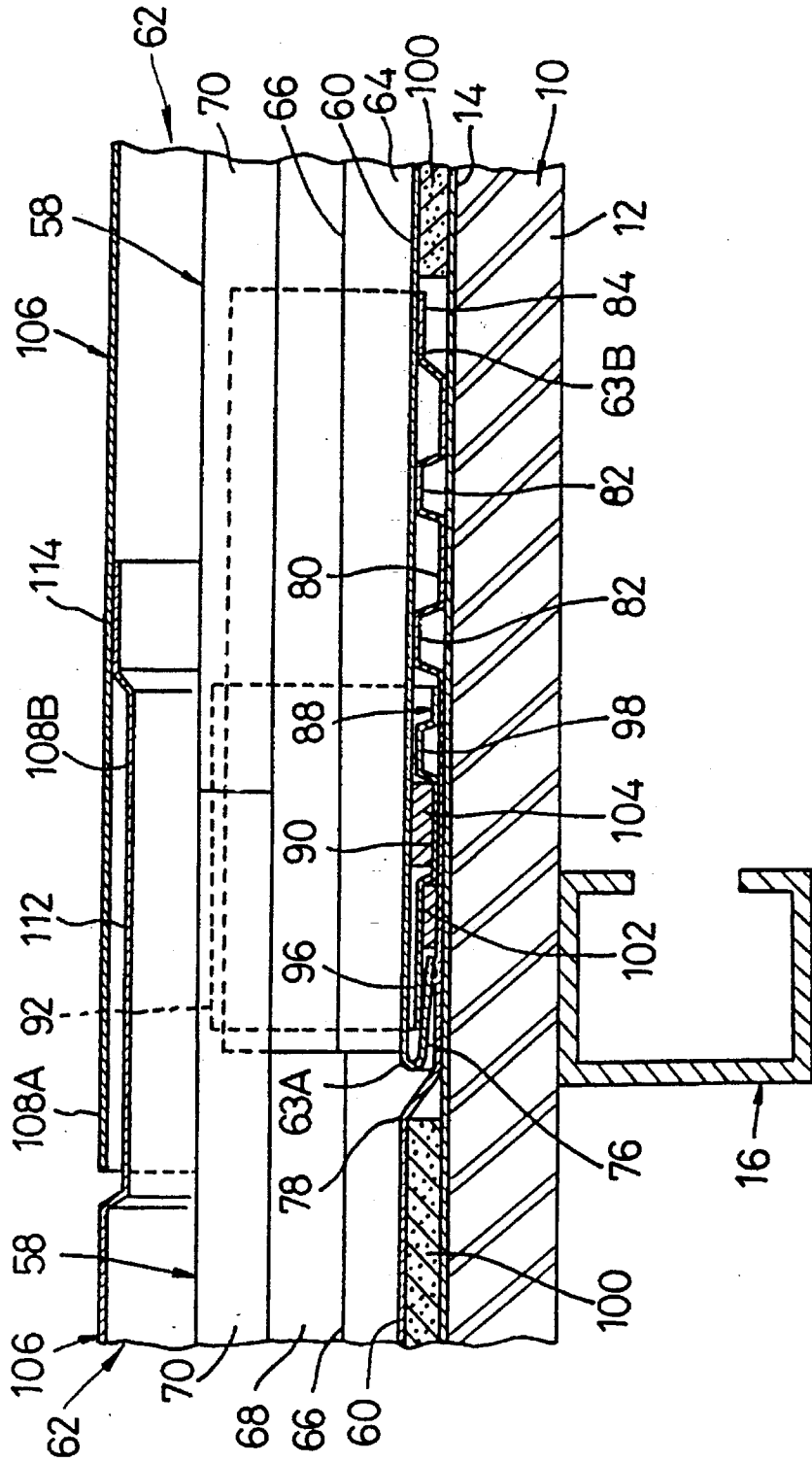




Fig. 3

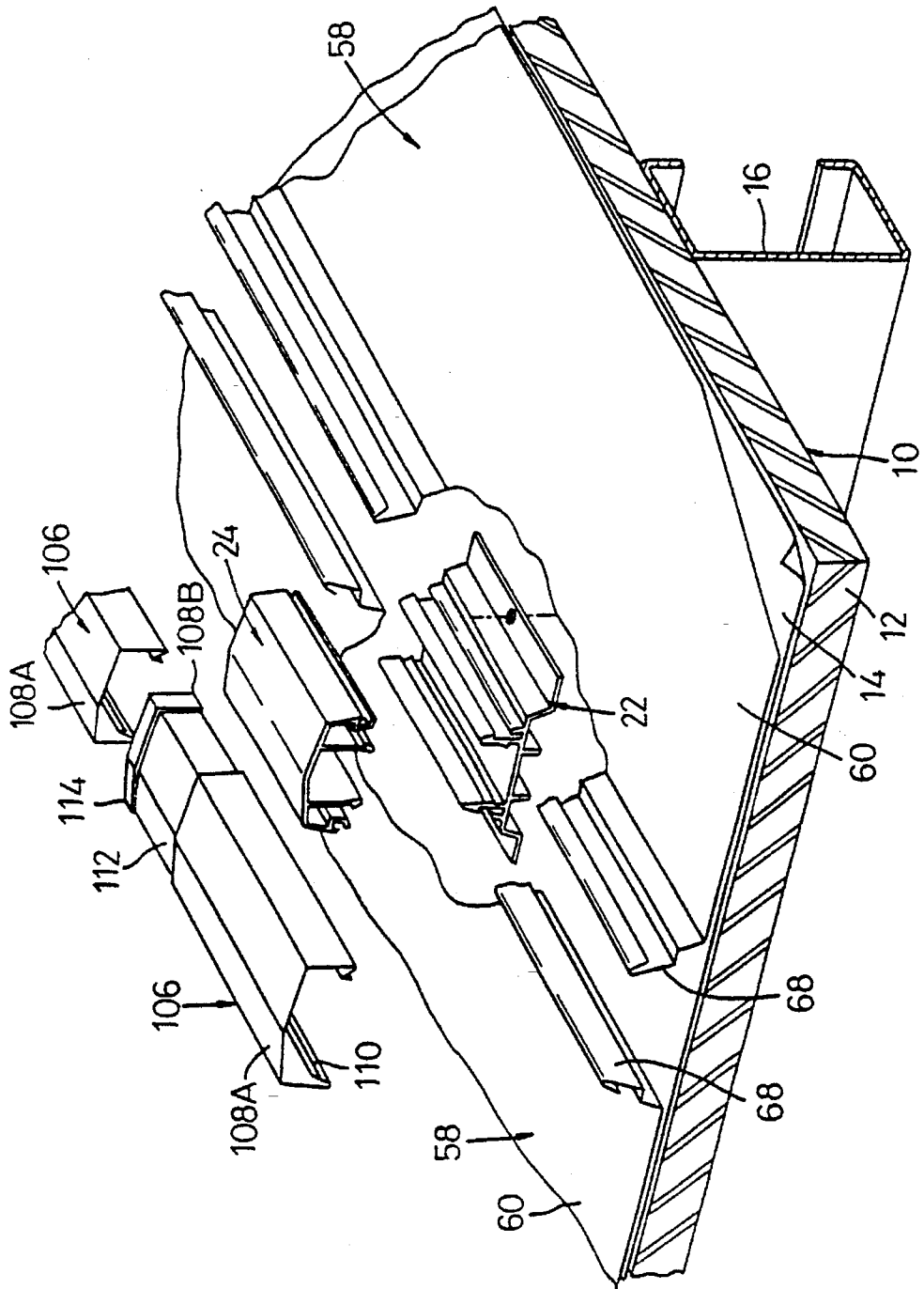




Fig. 5

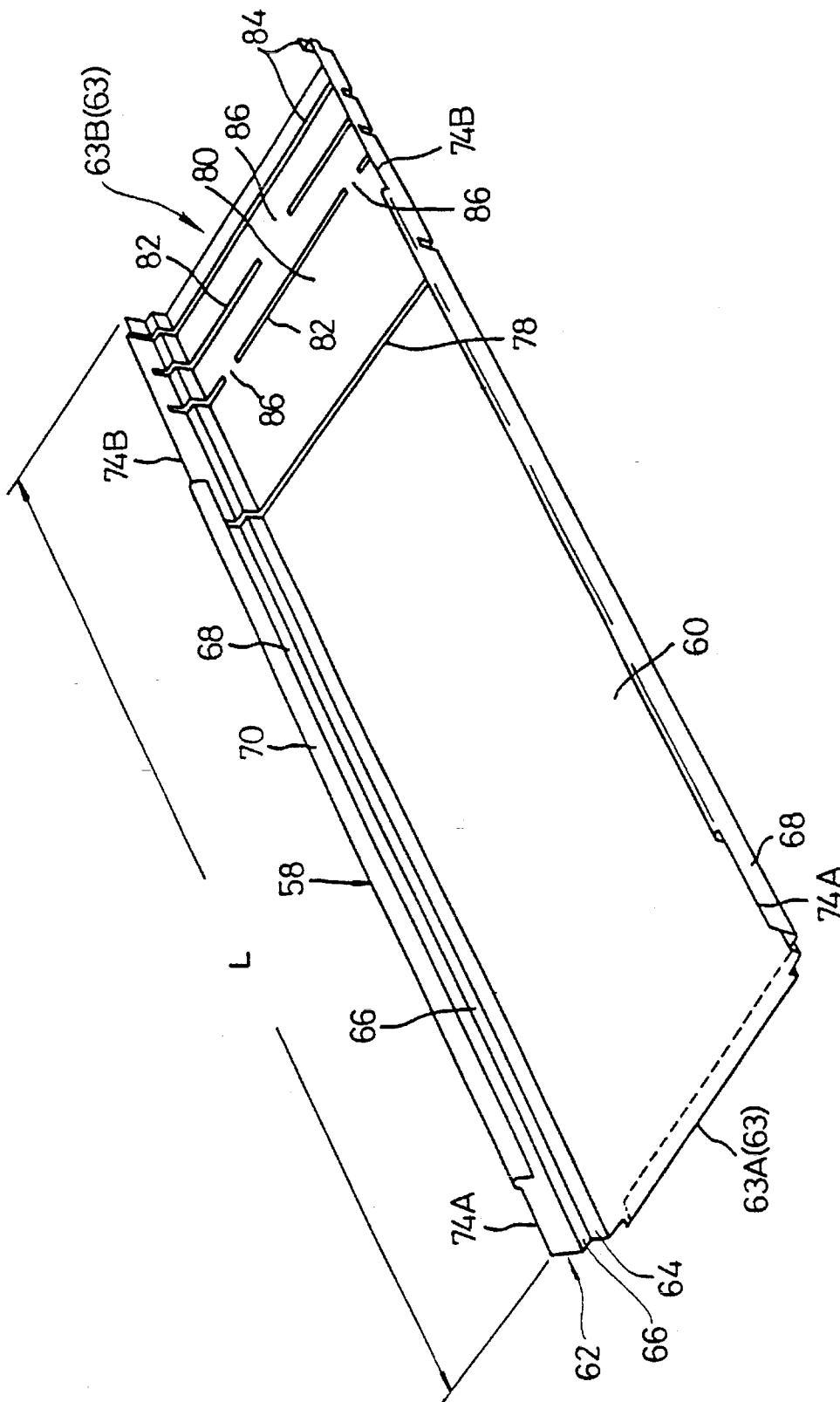


Fig. 6

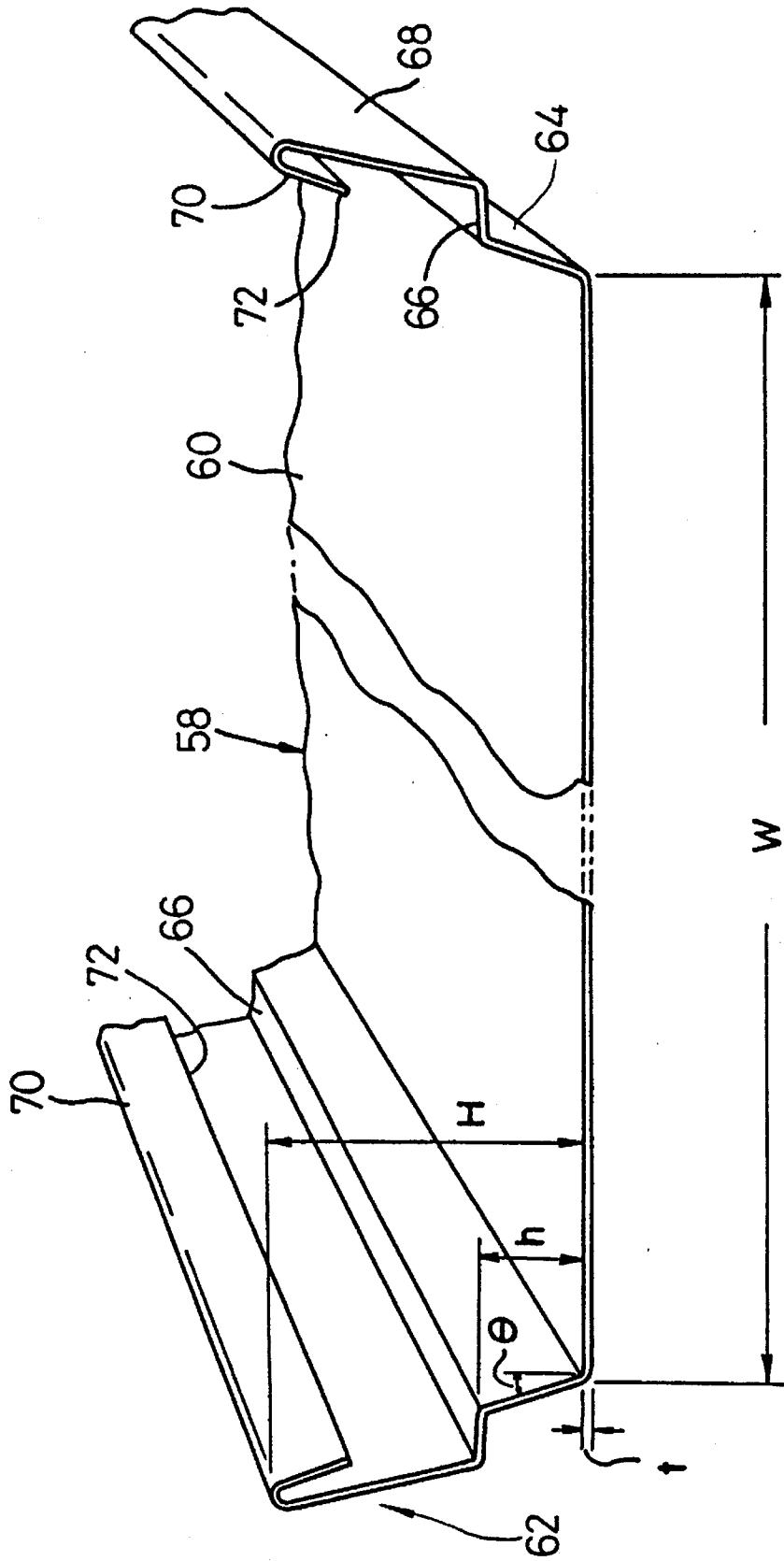


Fig. 7

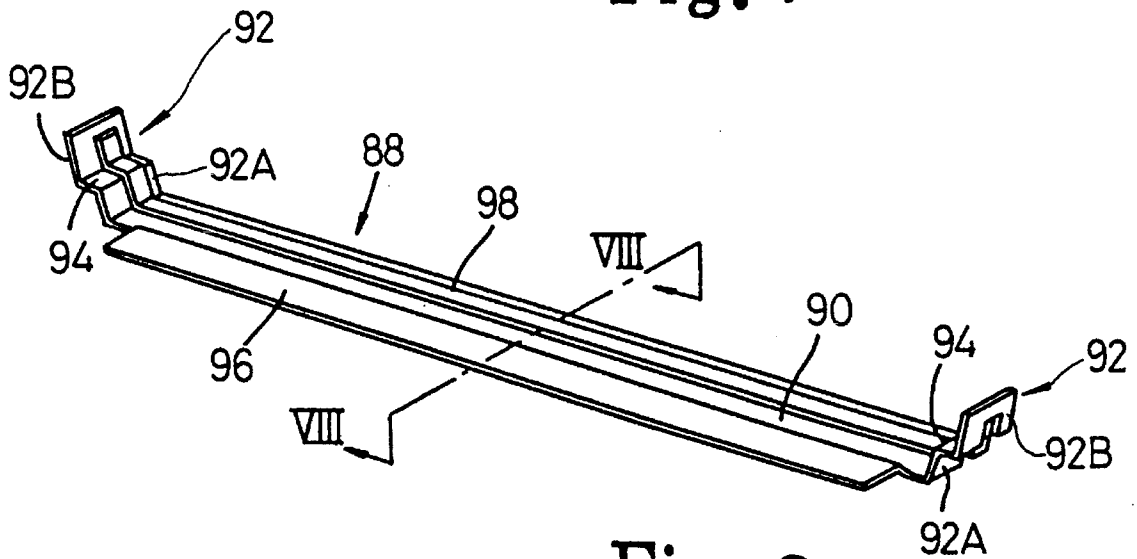


Fig. 8

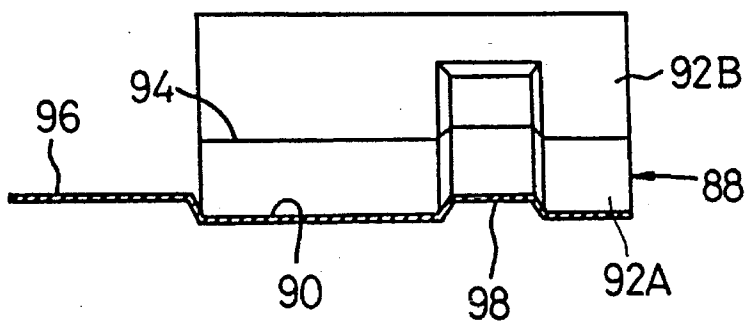




Fig. 9

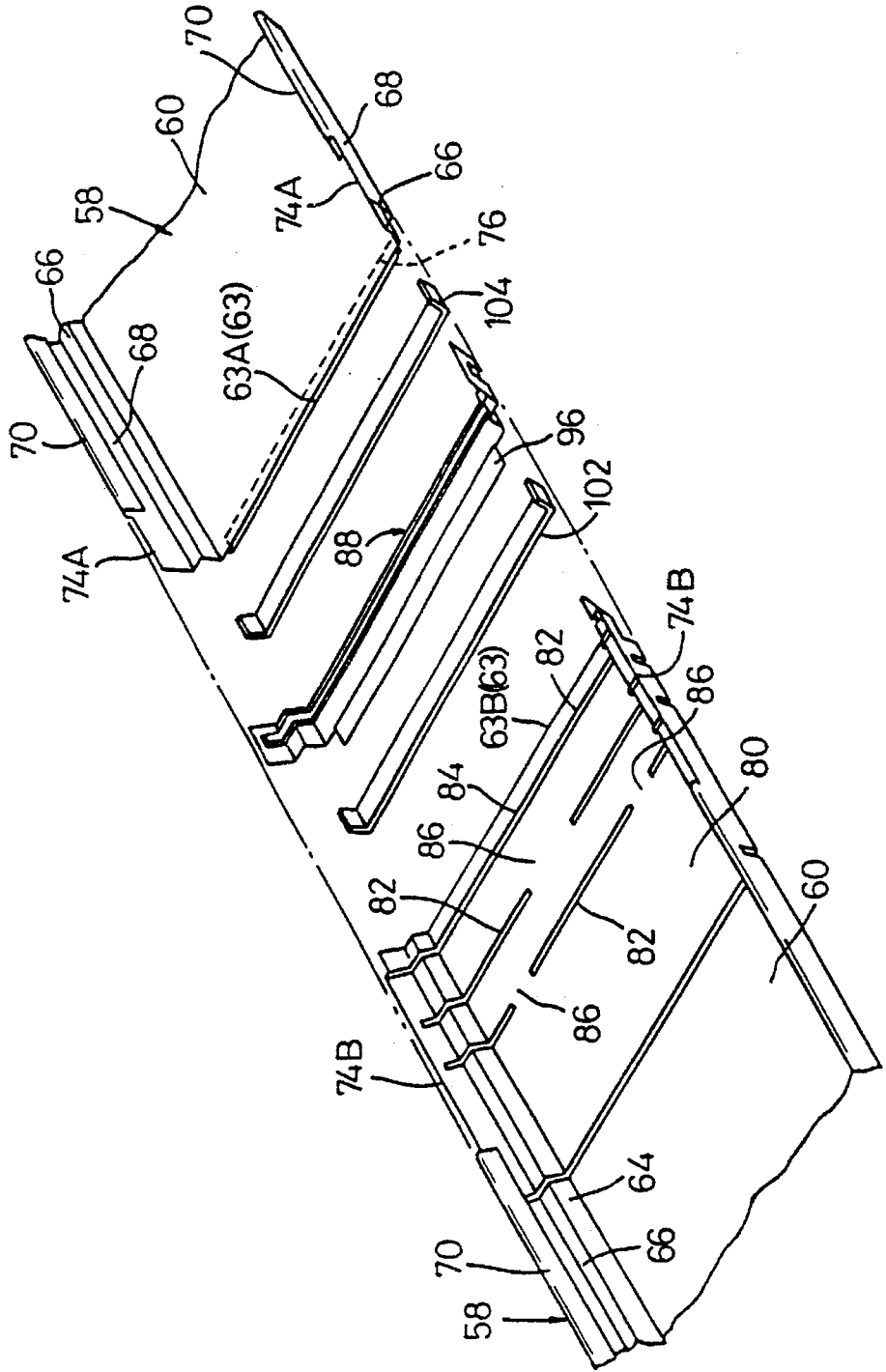


Fig. 10

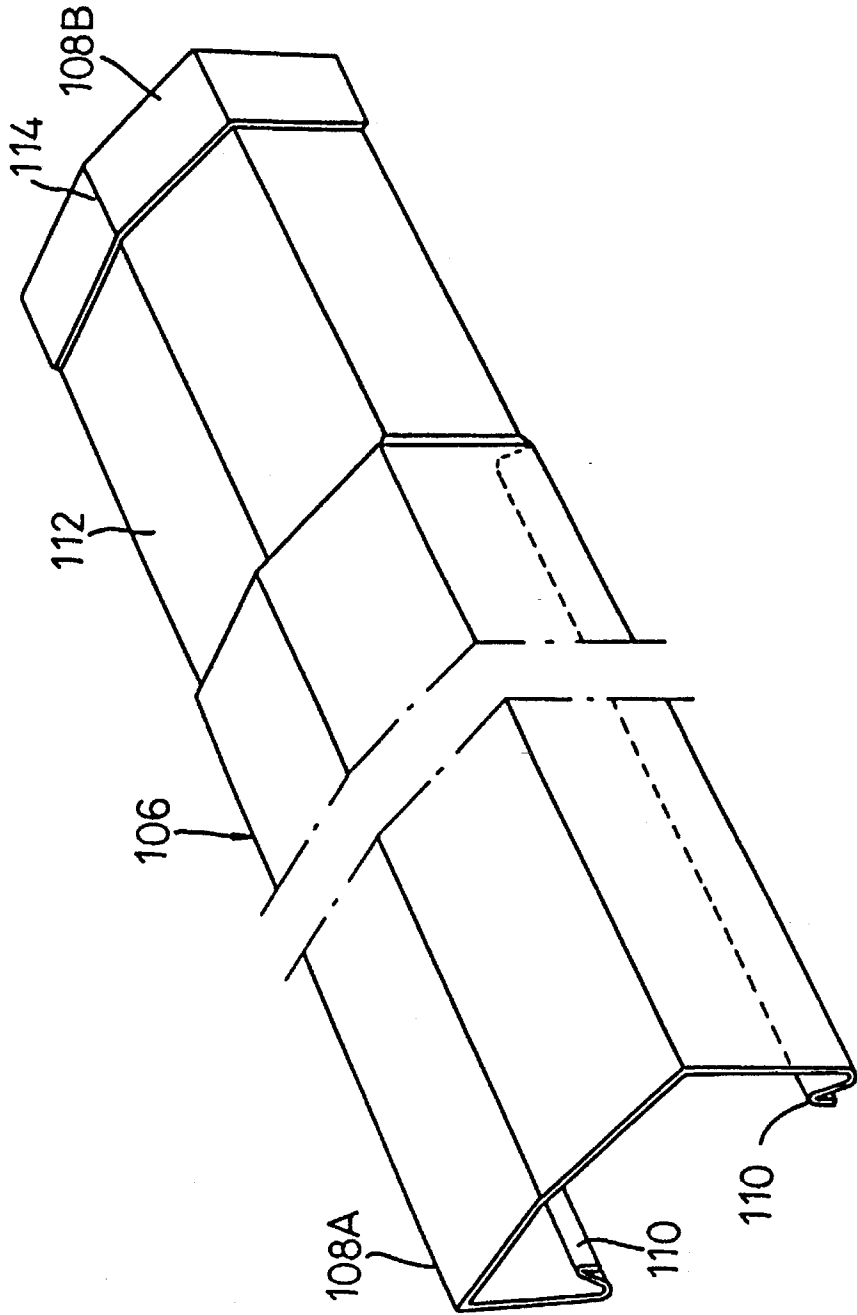


Fig. 11

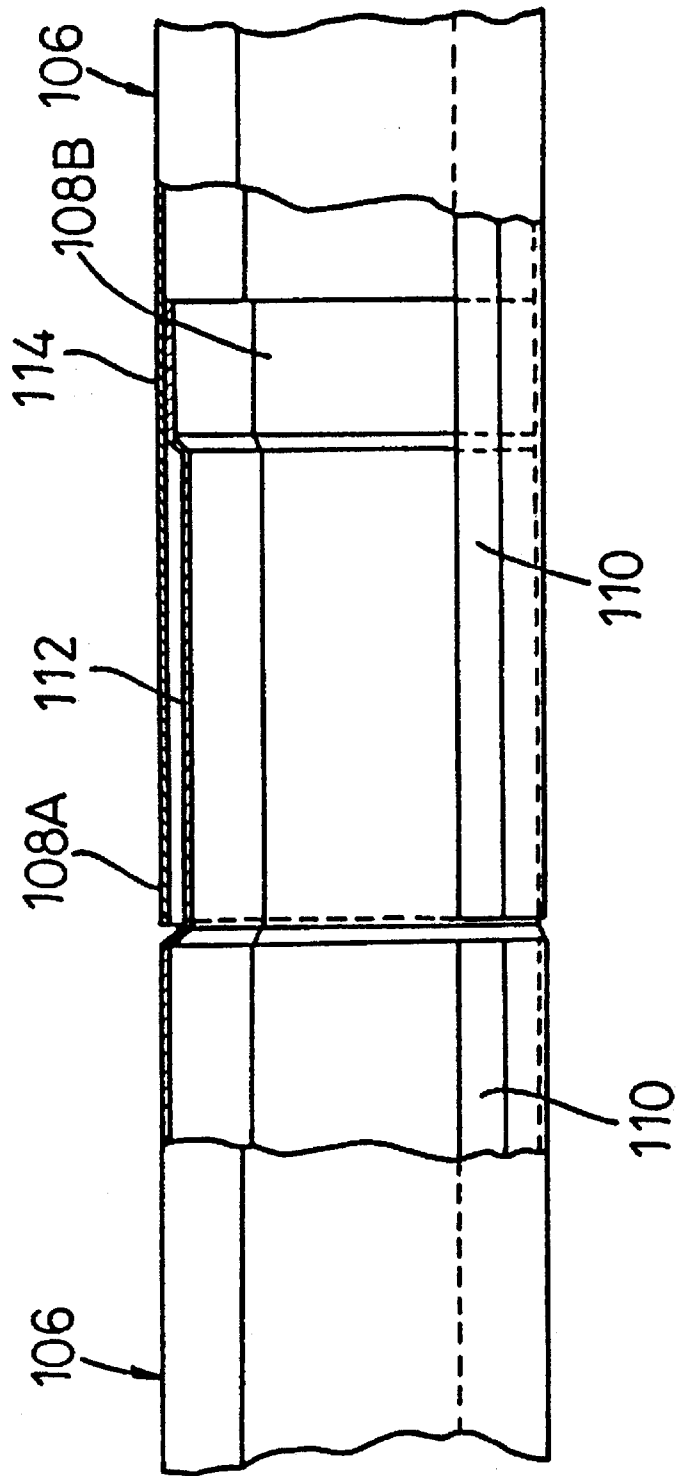


Fig. 12

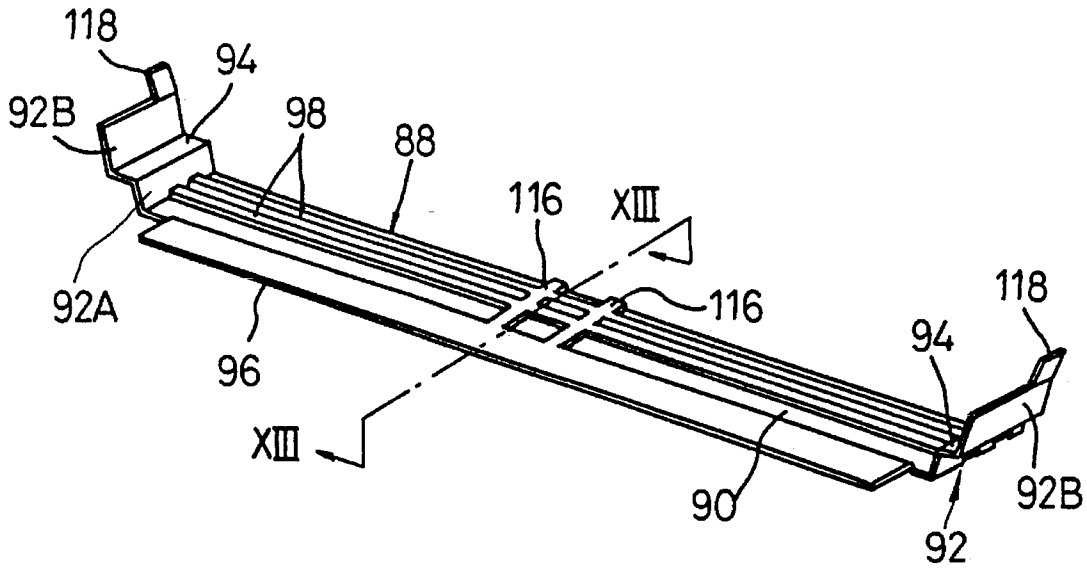


Fig. 13

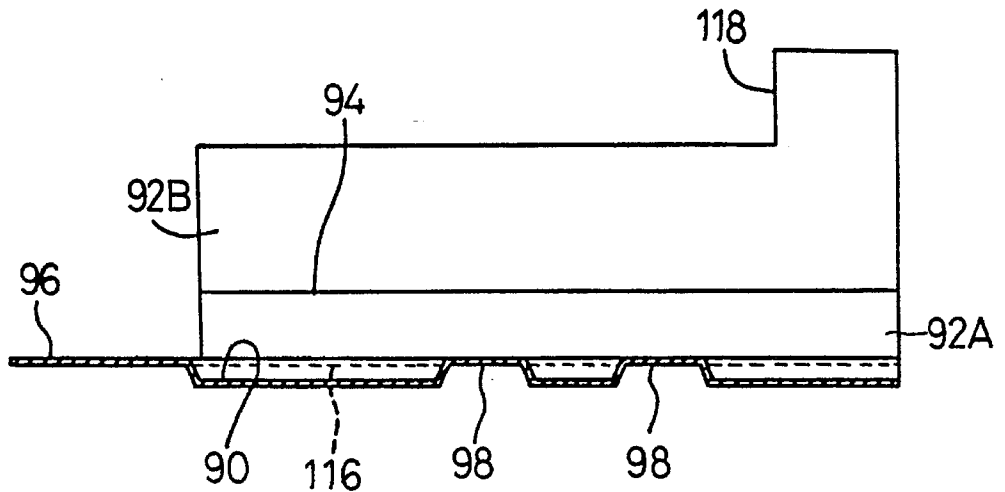


Fig. 14

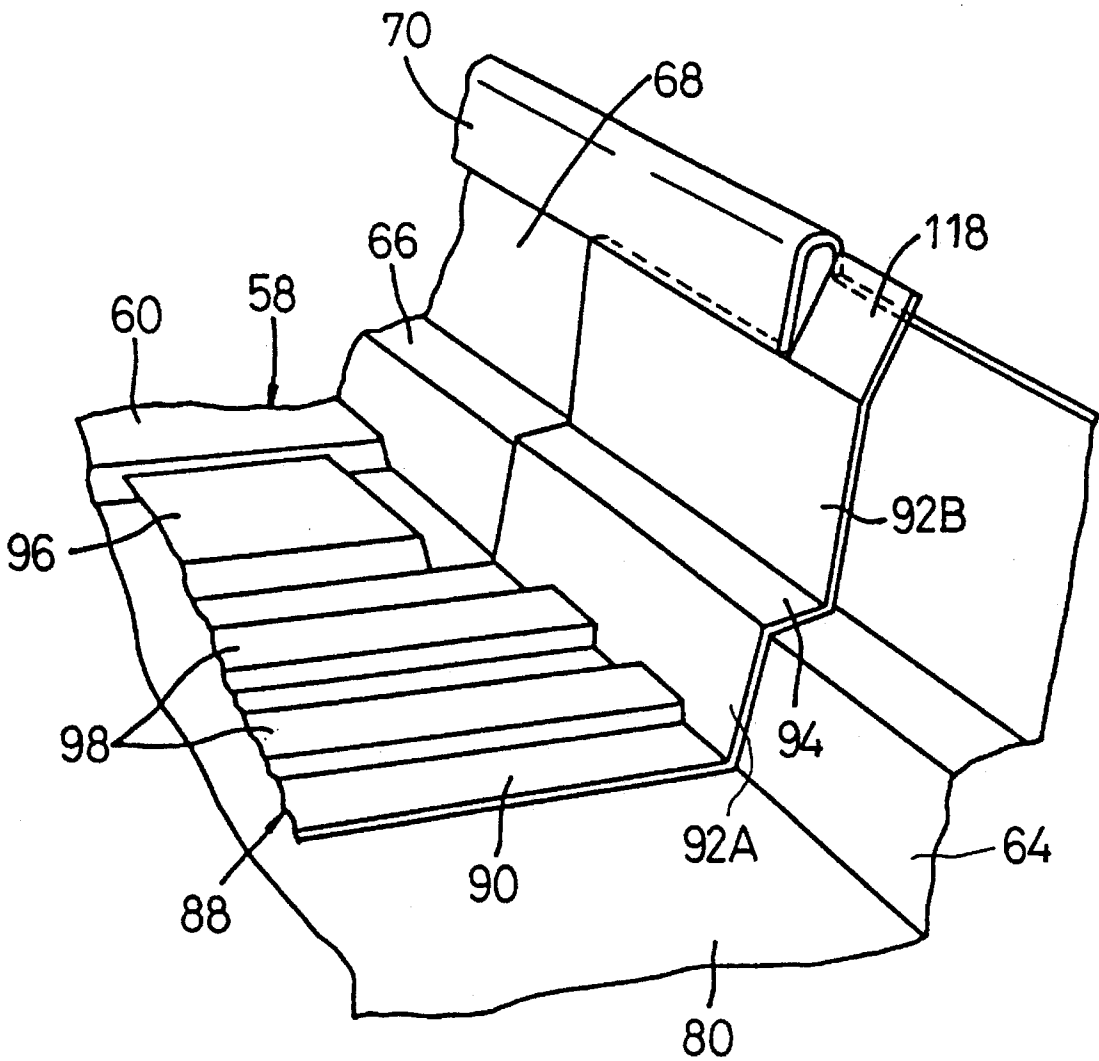


Fig. 15

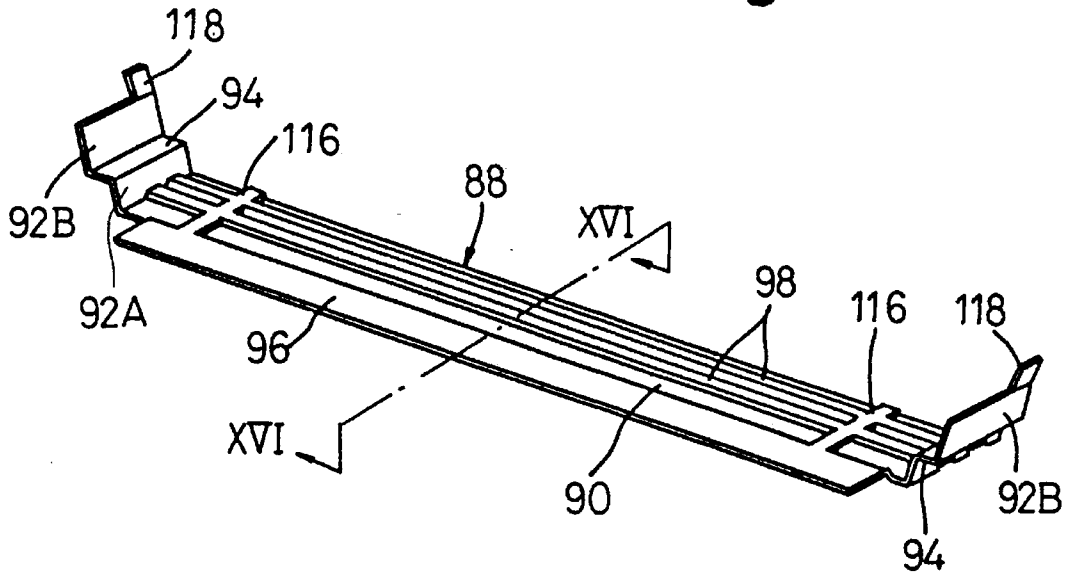


Fig. 16

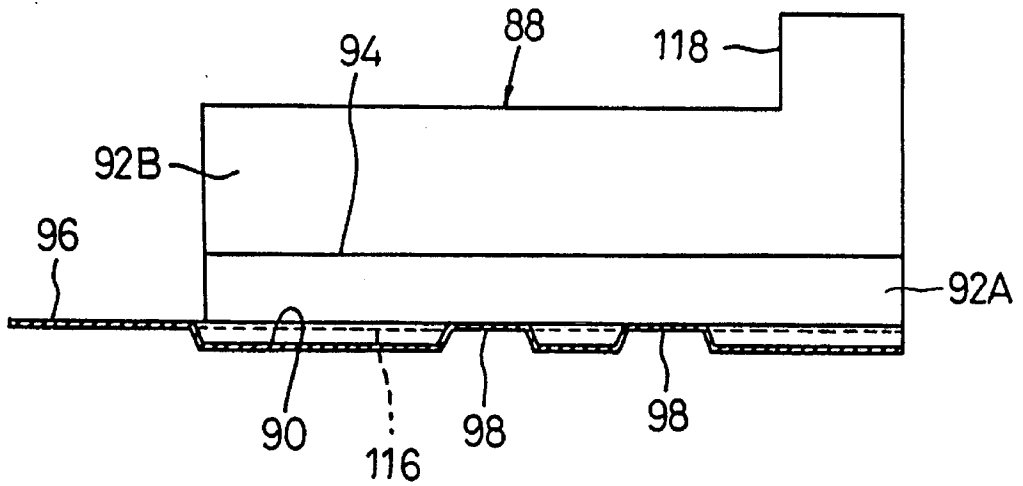


Fig. 17

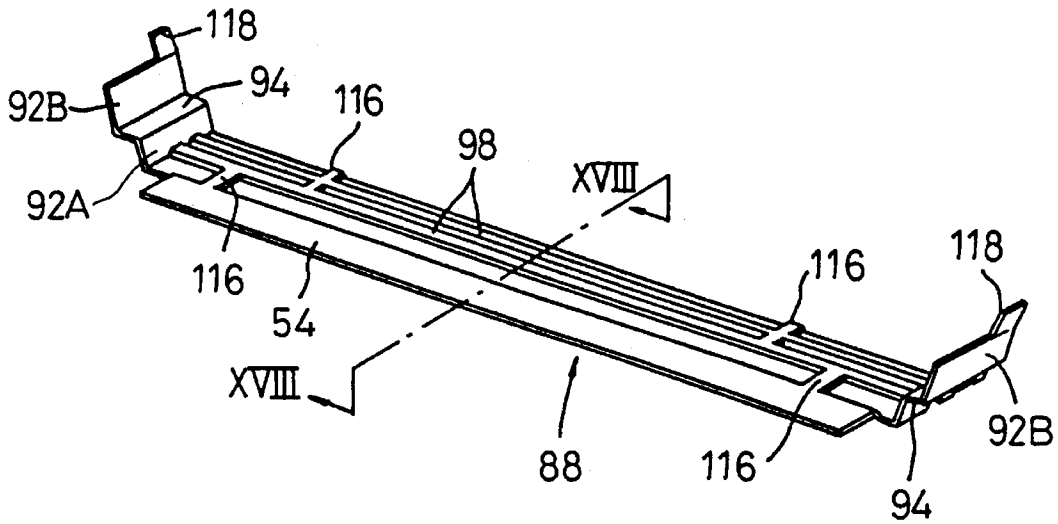


Fig. 18

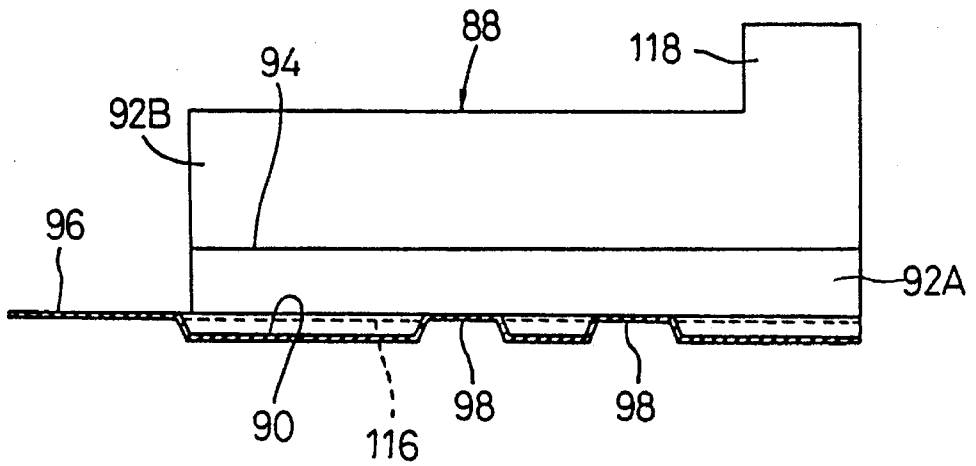
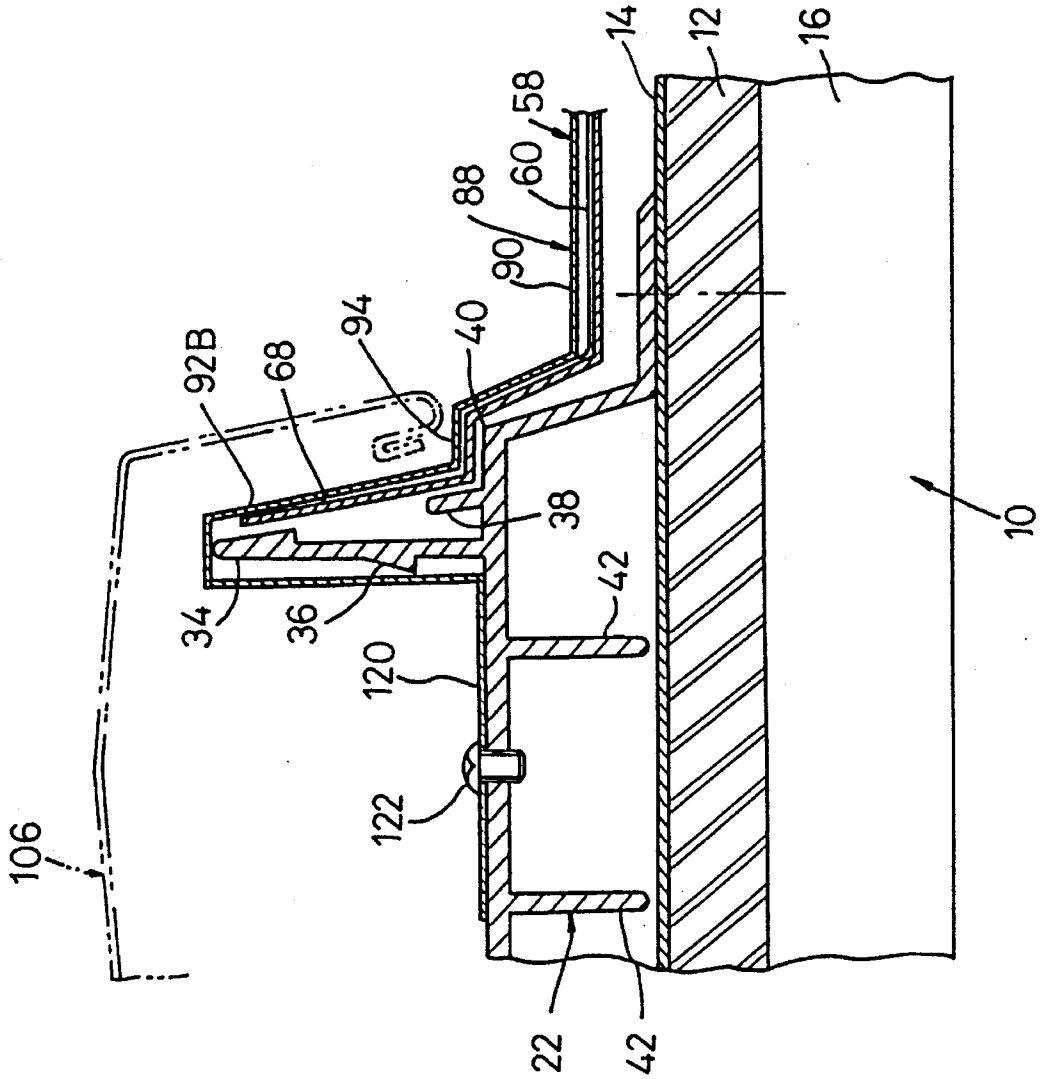


Fig. 19





## ROOF PLATE FOR LONGITUDINAL ROOFING

### BACKGROUND OF THE INVENTION

This invention relates to a roof plate for longitudinal roofing, and more particularly to a roof plate for longitudinal roofing which is made of a metal material and formed into a predetermined length in a longitudinal direction of a roof or an eaves-ridge direction.

The words "longitudinal direction", "longitudinal" and "longitudinally" used herein in connection with a roof, roofing, a roof plate and the like each indicate an eaves-ridge direction, or a direction extending from eaves of a roof to a ridge thereof or from the ridge to the eaves and the words "lateral direction", "lateral" and "laterally" indicate a direction perpendicular to the longitudinal direction.

A roof plate is generally classified into a roof plate for longitudinal roofing and that for lateral roofing. The present invention is directed to a roof plate for longitudinal roofing.

The roof plate for longitudinal roofing is formed into a substantially rectangular shape, as well as a predetermined length in the longitudinal direction. A plurality of such roof plates for longitudinal roofing thus formed are connected to each other according to any one of two roofing procedures for the purpose of forming or assembling a roof structure. One of the procedures is so carried out that the roof plates for longitudinal roofing are connected to each other in order in the lateral direction by means of fixtures to form a first or lowermost lateral-extending roof plate row and then a second or next laterally-extending roof plate row which is longitudinally adjacent to the first roof plate row is likewise formed while longitudinally connecting the roof plates of the first roof plate row formed to the roof plates of the second one being formed which positionally correspond to each other in the longitudinal direction. In this roofing procedure, the above-described operations are successively repeated in a ridge direction, to thereby form a roof.

The other roofing procedure is carried out in such a manner that a plurality of the roof plates for longitudinal roofing are longitudinally connected to each other in turn to form a first or outermost roof plate row longitudinally extending. Then, a second or next longitudinal roof plate row is likewise formed and thereafter the roof plate rows which are thus formed and laterally adjacent to each other are laterally connected to each other. In the second procedure, the above-described operations are repeated, resulting in a roof being assembled.

Longitudinal connection between the roof plates may be carried out in such a manner as disclosed in Japanese Utility Model Application Laid-Open Publication No. 134123/1990. More particularly, a roof plate includes a substantially flat plate body provided with a ridge side engagement, which is formed with a plurality of strip-like projections. The strip-like projections are overlappedly engaged with an eaves side engagement portion of a roof plate which is adjacent in a ridge direction to longitudinally connect the adjacent roof plates to each other. Also, Japanese Patent Application Laid-Open Publication No. 86615/1989 and Japanese Patent Application Laid-Open Publication No. 8444/1990 each disclose another longitudinal connection between roof plates for longitudinal roofing in which longitudinal connection ends of each of the roof plates each are provided with a level different portion. The connection is carried out by means of a tongue-like element, through

which longitudinally adjacent roof plates are overlapped each other for the longitudinal connection. Also, a joint made of a rubber material is incorporated in a space defined in the level different portions overlapped, to thereby ensure water-tightness at a longitudinal connection region between the roof plates.

Nevertheless, the prior art causes rainwater to easily enter the connection region through the overlapped portion, because both roof plates are merely connected by overlapping.

Also, the above-described longitudinal connection carried out by overlapping between the roof plates through the level different portion causes a level difference to be formed on the appearance of a roof, to thereby fail to form a planar roof surface, as indicated in Japanese Patent Application Laid-Open Publication No. 194244/1990 which discloses a roof plate for longitudinal roofing. More particularly, the longitudinal connection, when rain and wind blow against the longitudinal connection region, causes rainwater to enter the connection region. This is substantially promoted by the level different portion at the longitudinal connection region because the level difference portion causes a slope or pitch of a roof to be at least locally reduced. In particular, when the pitch is gentle, the level different portion often causes the pitch to be reverse. Thus, it is required to set a pitch of a roof sufficient to prevent back draft of a roof due to the level different portion.

Further, the roof plate disclosed in Japanese Patent Application Laid-Open Publication No. 194244/1990 fails to permit a longitudinal connection region between the roof plates to exhibit sufficient strength against a wind pressure, so that an eaves side end of each of the roof plates is lifted by rainstorm to form a gap therebetween, resulting in leakage of rainwater through the gap. In addition, the eaves side end of the roof plate is formed into a height smaller than each of lateral rising connection sections thereof, to thereby cause a gap to be formed due to a difference in height therebetween, resulting in leakage of rainwater through the gap. Thus, the roof plate of the Japanese publication fails to exhibit satisfactory water-tightness.

### SUMMARY OF THE INVENTION

The present invention has been made in view of the foregoing disadvantage of the prior art.

Accordingly, it is an object of the present invention to provide a roof plate for longitudinal roofing which is capable of exhibiting satisfactory water- or rain-tightness and durability.

It is another object of the present invention to provide a roof plate for longitudinal roofing which is capable of exhibiting strength against or resistance to a wind pressure.

It is a further object of the present invention to provide a roof plate for longitudinal roofing which is capable of preventing penetration of rainwater into a connection region between roof plates due to a capillary action and blowing of rainwater against the roof plate.

In accordance with the present invention, a roof plate for longitudinal roofing is provided. The roof plate includes a plate body formed into a predetermined length in a longitudinal direction, lateral rising connection sections provided on both lateral sides of the plate body, and longitudinal connection sections provided on both longitudinal ends of the plate body. The longitudinal connection sections include an eaves side connection section and a ridge side connection section, wherein the ridge side connection section includes

a downwardly oblique portion and a support portion extending in a ridge side direction from said downwardly oblique portion and the eaves side connection section includes an engagement portion formed by downwardly folding an eaves side end of the plate body, whereby the ridge side connection section and eaves side connection section of the roof plates which are longitudinally adjacent to each other are longitudinally connected to each other in turn for the purpose of assembling a roof.

In a preferred embodiment of the present invention, the plate body is substantially flat.

In a preferred embodiment of the present invention, the ridge side connection section has an upper surface defined at a position lower than an upper surface of the plate body.

In a preferred embodiment of the present invention, the support portion of the ridge side connection section is formed with a plurality of strip-like projections laterally extending in parallel to each other at predetermined intervals and formed at a distal end thereof with a strip-like raised portion laterally extending.

In a preferred embodiment of the present invention, the strip-like projections each are provided at least one discontinuity.

In a preferred embodiment of the present invention, the strip-like projections and raised portion are formed so as to extend to each of the lateral connection sections.

In a preferred embodiment of the present invention, the longitudinal connection between the ridge side connection section and eaves side connection section of the roof plate elements longitudinally adjacent to each other is carried out by means of a joint.

In a preferred embodiment of the present invention, the lateral connection sections of the roof plate element each include a first rising portion upwardly extending from the plate body, a horizontal portion outwardly projecting from an upper end of the first rising portion and acting as a step, and a second rising portion upwardly extending from an outer end of the horizontal portion.

In a preferred embodiment of the present invention, the first rising portion is formed into a height of about 8 mm or more, but less than about one third as large as the lateral connection section.

In a preferred embodiment of the present invention, the downward folding of the eaves side end of the plate body for forming the engagement portion of the eaves side connection section is carried out so as to define a gap in the engagement portion.

In a preferred embodiment of the present invention, the second rising portion of the lateral connection section is inwardly folded at an upper end thereof to form a water sealing portion.

In a preferred embodiment of the present invention, the strip-like projections are formed into a trapezoidal shape in section.

In a preferred embodiment of the present invention, the strip-like projections and raised portion each are so formed that an upper surface thereof is positioned below an upper surface of the plate body.

In a preferred embodiment of the present invention, as described above, the strip-like projections each are formed with at least one discontinuity. It is preferable that the discontinuities of the projections are positioned so as not to positionally correspond to or align with each other.

#### BRIEF DESCRIPTION OF THE DRAWINGS

These and other objects and many of the attendant advantages of the present invention will be readily appreciated as

the same becomes better understood by reference to the following detailed description when considered in connection with the accompanying drawings in which like reference numerals designate like or corresponding parts throughout; wherein:

FIG. 1 is a fragmentary sectional view showing an essential part of a roof including a roof plate for longitudinal roofing according to an embodiment of the present invention, in which a plurality of the roof plates are connected to each other in order in an eaves-ridge or longitudinal direction;

FIG. 2 is a fragmentary vertical sectional view showing lateral connection between roof plates according to an embodiment of the present invention which are connected in a lateral direction by means of a fixture combination;

FIG. 3 is a fragmentary exploded perspective view of the lateral connection shown in FIG. 2;

FIG. 4 is an exploded perspective view showing a fixture combination of an upper fixture and a lower fixture;

FIG. 5 is a perspective view showing an embodiment of a roof plate for longitudinal roofing according to the present invention;

FIG. 6 is a partly cut-away perspective view of the roof plate shown in FIG. 5;

FIG. 7 is a perspective view showing a joint used for longitudinally connecting roof plates to each other;

FIG. 8 is a sectional view taken along line VIII—VIII of FIG. 7;

FIG. 9 is a fragmentary exploded perspective view showing a longitudinal connection region between longitudinally adjacent roof plates of the present invention;

FIG. 10 is a partly cutaway perspective view showing a cover for protecting a lateral connection region between the roof plates laterally adjacent to each other;

FIG. 11 is a fragmentary sectional view showing connection between the covers of FIG. 10 arranged longitudinally adjacent to each other;

FIG. 12 is a perspective view showing a modification of the joint shown in FIG. 7;

FIG. 13 is a sectional view taken along line XIII—XIII of FIG. 12;

FIG. 14 is a fragmentary perspective view showing arrangement of the joint of FIG. 12 with respect to a roof plate for longitudinal roofing;

FIG. 15 is a perspective view showing another modification of the joint shown in FIG. 7;

FIG. 16 is a sectional view taken along line XVI—XVI of FIG. 15;

FIG. 17 is a perspective view showing a further modification of the joint shown in FIG. 7;

FIG. 18 is a sectional view taken along line XVIII—XVIII of FIG. 17; and

FIG. 19 is a fragmentary vertical sectional view showing fixing of still another modification of the joint shown in FIG. 17 with respect to a lateral connection section of a roof plate for lateral roofing according to the present invention.

#### DETAILED DESCRIPTION OF THE PREFERRED EMBODIMENT

Now, a roof plate for longitudinal roofing according to the present invention will be described hereinafter with reference to the accompanying drawings.

Referring first to FIGS. 1 to 3, an embodiment of a roof plate for longitudinal roofing according to the present invention is illustrated. A roof plate of the illustrated embodiment is formed in a manner to be substantially laterally symmetric and into a predetermined length in an eaves-ridge or longitudinal direction. A plurality of the roof plates thus formed are connected to each other in turn in the longitudinal direction as shown in FIG. 1 for the purpose of forming a roof. Also, a plurality of the roof plates of the illustrated embodiment laterally adjacent to each other are connected to each other in a lateral direction perpendicular to the longitudinal direction for the purpose of formation of the roof.

In FIGS. 1 to 3, reference numeral 10 designates a backing member, which may be constructed of a sheathing board 12 such as an excelsior board and a waterproof material 14 such as an asphalt roofing material which are laid on a purlin 16 formed of, for example, a C-shaped steel material. The backing member 10 is fixedly mounted thereon with at least one fixture means or fixture combination 18 using a securing means 20 such as a screw, a bolt or the like which is fixed through the sheathing board 12 to the purlin 16. The fixture combination 18 serves to laterally connect the roof plates laterally adjacent to each other therethrough and includes a lower fixture 22 fixed on the backing member 10 through the securing means 20 and an upper fixture 24 adapted to be engagedly fitted on the lower fixture 22. The fixtures 22 and 24 each are formed in a substantially laterally symmetric manner and may be formed of any suitable material such as aluminum, aluminum alloy, hard resin or the like into an extruded shape of a short length.

The lower fixture 22, as shown in FIG. 4, includes a base 26 arranged on the backing member 10 and fixed thereon. The base section 26 is formed into a substantially angular  $\Omega$  shape, resulting in including a pair of flanges 28, a flat top portion 30, and a pair of legs 32 through which the flanges 28 and top portion 30 are connected to each other. The flat top portion 30 is provided on an upper surface thereof with a pair of upwardly projecting plate-like holders 34 in a manner to be spaced from each other in a lateral direction of the top portion 30 and extend in a longitudinal direction thereof. The holders 34 each are formed on an inner side thereof with a pawl-like stopper 36. Also, the flat top portion 30 is provided on the upper surface thereof with a projection 38 so as to be positioned outside each of the stoppers 36, which projections 38 are formed so as to extend in the longitudinal direction of the flat top portion 30 and upwardly inwardly project at substantially the same angle as an oblique angle  $\theta$  of each of lateral rising connection sections of a roof plate described below. A part of the flat top portion 30 between each of lateral ends of the flat top portion 30 and each of the projections 38 constitutes a shoulder 40. The flat top portion 30 is provided on a lower surface thereof with a plurality of reinforcing ribs 42 for reinforcing the flat top portion 30 and therefore the lower fixture 22 to prevent deformation of the fixture combination 18.

The upper fixture 24 includes a fixture body 44 which is formed into a substantially inverted U-shape so as to be fitted on the lower fixture 22 for covering the lower fixture 22. The fixture body 44 of the upper fixture 24 is provided on a lower surface of a top portion 45 thereof with a pair of plate-like projections 46 so as to be fitted between the holders 34 of the lower fixture 22 when the upper fixture 24 is fitted on the lower fixture 22. The plate-like projections 46 each are formed so as to downwardly project from the fixture body 44 and extend in a longitudinal direction of the fixture body 44. The projections 46 each are formed on an outside thereof with a recess 48, which is adapted to be fittedly

engaged with the stopper 36 of each of the holders 34 of the lower fixture 22 when the upper fixture 24 is fitted on the lower fixture 22. The fixture body 44 also includes a pair of leg portions 50 downwardly extending from both ends of the top portion 45, each of which leg portions 50 is provided on a lower end thereof with an abutment 52 in a manner to positionally correspond to the shoulder 40 of the flat top portion 30 of the lower fixture 22. Also, the leg portions 50 of the upper fixture 24 each are so formed that a part thereof is inwardly projected as indicated at reference 54 in FIGS. 2 and 4, resulting in an outer side of each of the leg portions 50 being formed with a groove 56 extending in the longitudinal direction of the upper fixture 24. The projections 54 each may be formed so as to horizontally extend.

The roof plate for longitudinal roofing of the illustrated embodiment briefly described above is generally designated at reference numeral 58. The roof plate 58 is formed in a substantially laterally symmetric manner as shown in FIG. 5 and into a predetermined length of, for example, 3 to 5 m in the longitudinal direction. A plurality of the roof plates 58 thus formed are connected to each other in order in the longitudinal and lateral directions for the purpose of assembling a roof. Each of the roof plates 58, as shown in FIGS. 5 and 6, includes a plate body 60 which may be substantially flat, and lateral rising connection sections 62 formed on both lateral ends of the plate body 60. The plate body 60 of the roof plate 58 includes both longitudinal connection sections 63 which comprises an eaves side connection section 63A formed at an eaves side end portion of the plate body 60 and a ridge side connection region 63B formed at a ridge side end portion of the plate body 60.

The lateral rising connection sections 62 each include a first rising portion 64 formed so as to upwardly outwardly extend at an oblique angle of  $\theta$  from each of both lateral ends of the plate body 60, a horizontal portion 66 formed so as to horizontally outwardly extend from an upper end of the first rising section 64, and a second rising portion 68 formed so as to upwardly outwardly extend from an outer end of the horizontal portion 66. The horizontal portion 66 acts as a step for connecting the first rising portion 64 and second rising portion 68 to each other therethrough. The second rising portion 68 is inwardly folded at an upper end thereof to form a water sealing portion 70 in which a gap is defined and which includes a lower distal end 72.

The roof plate 58 may be so formed that the plate body 60 has a thickness  $t$  between 0.4 mm to 0.7 mm, a longitudinal length  $L$  of about 5 m or less and a lateral width  $W$  of 276 to 411 mm and each of the lateral connection sections has a height  $H$  of 30.0 mm. The first rising portion 64 may be formed into a height  $h$  of about 8 mm or more, but less than about one third as large as the height  $H$  of the whole lateral connection section 62.

Also, the second rising portion 68 of each of the lateral connection sections 62 of the roof plate 58 is formed on each of both longitudinal sides of an upper end thereof with a cutout 74A (74B) by cutting both longitudinal end portions of the water sealing portion 70. The eaves side cutout 74A may be formed into a length of, for example, 50 to 100 mm and so as to be horizontal or downwardly oblique toward an eaves side end thereof, whereas the ridge side cutout 74B may be formed at a position of about 2 to 3 mm below an upper end of the second rising portion 68.

In each of both lateral connection sections 62 of the roof plate 58 constructed as described above, as shown in FIG. 2, the horizontal portion or step 66 through which the first and second rising portions 64 and 68 are connected to each other

is supported on the shoulder 40 of the flat top portion 30 of the lower fixture 22 and the second rising portion 68 is supportedly abutted on an outer surface thereof against the projection 38 provided on the flat top 30. The stopper 36 provided on the inner surface of each of the holders 34 is engagedly fitted in the recess 48 formed on the outer surface of each of the held members 46 of the upper fixture 24.

The horizontal portion or step 66 of each of the lateral connection sections 62 of the roof plate thus supported on the shoulder 40 is then downwardly pressed by the abutment 52 of each of the leg portions 50 of the fixture body 44 of the upper fixture 24, resulting in pressedly interposed between the shoulder 40 of the lower fixture 22 and the abutment 52 of the upper fixture 24. Thus, it will be noted that the lateral connection section 62 is pressedly interposedly supported between the lower fixture 22 and the upper fixture 24. The lower end 72 of the water sealing portion 70 is supportedly held on the inward projection 54 of each of the leg portions 50 of the fixture body 44 of the upper fixture 22.

Thus, the roof plates 58 for longitudinal roofing which are arranged laterally adjacent to each other are laterally securely connected through the fixture combination 18 or the lower and upper fixtures 22 and 24, as shown in FIG. 2.

The eaves side connection section 63A of the longitudinal connection sections 63 of the plate body 60 of the roof plate 58, as shown in FIG. 1, includes an eaves side engagement portion 76 formed by downwardly folding the eaves side end portion of the flat plate body 60 in a hairpin-like manner. This results in a gap being formed in the eaves side engagement 76. The eaves side engagement 76 may be formed into a length of 10 to 20 mm and so as to permit the gap to have a size of 1.5 to 2.0 mm. The ridge side connection section 63B of the flat plate body 60, as shown in FIGS. 1 and 5, includes a downwardly oblique portion 78 formed so as to downwardly obliquely extend in a ridge side direction from the flat plate body 60 and a support portion 80 which is formed at a distal end of the oblique portion 78 so as to longitudinally outwardly extend in a ridge side direction therefrom and on which the eaves side engagement portion 76 of the eaves side connection section 63A of upper or ridge-side one of the roof plates 58 longitudinally adjacent to each other is laid or supported. The oblique portion 78, as shown in FIG. 5, is so formed that both lateral ends thereof each extend to the second rising portion 68 of each of the lateral connection sections 62 of the roof plate 58.

The support portion 80 of the ridge side connection section 63B, as shown in FIGS. 1 and 5, is formed at a portion thereof beyond the eaves side connection portion 76 of upper or ridge-side one of the longitudinally adjacent roof plates 58 with a plurality of laterally extending strip-like projections 82 and at a distal end thereof with a strip like raised portion 84. The strip-like projections 82 and raised portion 84 are arranged so as to laterally extend to the second rising portion 68 of each of the lateral connection sections 62 and be spaced in parallel from each other at suitable intervals in the longitudinal direction of the flat plate body 60. In the illustrated embodiment, the projections 82 are formed into a trapezoidal shape in section. Alternatively, they may be formed into an inverted V-shape or the like. Also, the strip-like projections 82 and/or raised portion 84 each may be so formed that an upper surface thereof is positioned below an upper surface of the flat plate body 60. Further, in the illustrated embodiment, the strip-like projections 82 each are formed with at least one discontinuity 86. The discontinuities 86 of the projections 82 are positioned so as not to positionally correspond to or align with each other.

The roof plates 58 longitudinally adjacent to each other may be longitudinally connected through the thus formed longitudinal connection sections 63 by means of a joint 88. The joint 88, as shown in FIGS. 1, 7 and 8, is formed so as to be substantially laterally symmetric and into substantially the same shape as a cross section of the roof plate 58. More particularly, the joint 88 includes an elongated joint body 90 formed so as to laterally extend, and a lateral rising section 92 formed on each of both lateral ends of the joint body 90. The lateral rising section 92 includes a lower or first rising portion 92A and an upper or second rising portion 92B. The first and second rising portions 92A and 92B are connected to each other through a horizontal portion or step 94 formed so as to outwardly extend between an upper end of the first rising portion 92A and a lower end of the second rising portion 92B.

The joint 88, as shown in FIGS. 1 and 9, is arranged on the support portion 80 of the ridge side connection section 63B of the flat plate body 60 of the roof plate 58 and positioned on the support portion 80 by inserting an upper end of each of the second rising portions 92B of the joint 88 into the above-described gap defined in the water sealing portion 70 of the corresponding lateral connection section 62 of the roof plate 58. Then, the joint 88 is fixed on the roof plate 58 using any suitable means such as adhesion, spot welding or the like. The joint 88 is formed on an eaves side end thereof with an engagement portion 96 in a manner to longitudinally outwardly extend therefrom. The engagement portion 96 of the joint 88 is adapted to be engagedly fitted in the eaves side engagement portion 76 of the eaves side connection section 63A of upper or ridge-side one of the longitudinally adjacent roof plates 58 to be connected to each other, as shown in FIG. 1. Further, the joint body 90 of the joint 88 is provided thereon with a reinforcing rib 98 in a manner to laterally continuously extend between both second rising portions 92B.

Thus, longitudinal connection between the roof plates longitudinally adjacent to each other, as shown in FIGS. 1 and 9, may be carried out by fixedly mounting the joint 88 on the support portion 80 of lower or eaves-side one of the adjacent roof plates 58 and then engagedly inserting the engagement portion 96 of the joint 88 into the eaves side engagement portion 76 of upper or ridge-side one of the adjacent roofs 58.

The roof plate 58, as shown in FIG. 1, may be mounted on a lower surface thereof with a heat insulating material 100 such as polyethylene foam or the like by, for example, adhesion. Reference numerals 102 and 104 each designate a waterstop made of rubber or the like and arranged on each of upper and lower surfaces of the joint 88. The waterstops 102 and 104 each are so formed that each of both lateral ends thereof is raised, resulting in being tightly abutted against each of inner and outer surfaces of each of the first and second rising portions 92A and 92B of the joint 88.

Now, lateral connection between the roof plates for longitudinal roofing will be described hereinafter.

First, as shown in FIG. 2, the lateral connection sections 62 of the laterally adjacent roof plates for longitudinal roofing are connected to each other through the fixture combination 18 in such a manner that each of the horizontal portions or steps 66 of the adjacent roof plates through which the first and second rising portions 64 and 68 are connected to each other is supported on each of the opposite shoulders 40 of the lower fixture 22 and the second rising portion 68 is supportedly abutted on the outer surface thereof against each of the opposite projections 38 provided on the flat top portion 30 of the lower fixture 22.

Then, the upper fixture 24 is fitted on the lower fixture 22. This causes in the horizontal portion or step 66 thus supported on each of the opposite shoulders 40 of the lower fixture 22 to be downwardly pressed by the abutment 52 of each of the opposite leg portions 50 of the fixture body 44 of the upper fixture 24, resulting in each of the steps 66 being pressedly interposed between the shoulder 40 of the lower fixture 22 and the abutment 52 of the upper fixture 24. Thus, the lateral connection section 62 of each of the laterally adjacent roof plates 58 is pressedly interposedly supported between the lower fixture 22 and the upper fixture 24, as shown in FIG. 2. The lower end 72 of the water sealing portion 70 of the lateral connection section 62 of each of the adjacent roof plates 58 is supportedly held on the inward projection 54 of each of the opposite leg portions 50 of the fixture body 44 of the upper fixture 24. Such lateral connection between the laterally adjacent roof plates is repeated for the purpose of assembling a roof.

Reference numeral 106 designates a cover member for protecting a lateral connection region of the adjacent roof plates thus laterally connected to each other. In the illustrated embodiment, the cover member 106, as shown in FIGS. 2 and 3, is formed into a substantially inverted U-shape in section and the same longitudinal dimension or length as the roof plate element. The cover member 106 is inwardly folded at a distal end of each of leg portions thereof except a part thereof on a ridge side 108B of the cover member, resulting in a locking portion 110 being provided as shown in FIGS. 2, 10 and 11. The locking portions 110 each are adapted to be elastically engagedly fitted in the groove 56 formed at each of the leg portions 50 of the upper fixture 24.

The cover member 106, as shown in FIG. 10, is formed on the ridge side 108B thereof with an overlap region 112, which is formed at an end of a ridge side thereof with a strip-like raised portion 114. On the overlap region 112 and raised portion 114 thus formed, an eaves side 108A of an upper adjacent cover member 106 is flash overlapped as shown in FIG. 11.

Referring now to FIGS. 12 and 13, a modification of the joint 88 described above with reference to FIGS. 7 and 8 is illustrated. A joint 88 shown in FIGS. 12 and 13 is constructed in such a manner that a joint body 90 is provided at a central portion of a rear surface thereof with a pair of drainage grooves 116 extending in a direction perpendicular to a longitudinal direction of the joint 88 or in a longitudinal direction of the roof plate 58 in a manner to be positionally symmetric to each other. The drainage grooves 116 each act to outwardly drain rainwater entering the joint 88 or water condensed at the joint therethrough. The grooves 116 each are formed so as to extend at an eaves side end thereof to an engagement portion 96 to reinforce it.

Reference numeral 118 designates a positioning member 118 formed on an upper end of each of both second rising portions 92B of the joint 88 so as to upwardly project therefrom. Each of the positioning members 118, as shown in FIG. 14, is heldly abutted against an end surface of the water sealing portion 70 of the second rising portion 68 of each of the lateral connection sections 62 of the roof plate 58 to facilitate positioning of the joint 88 with respect to the roof plate 58. The remaining part of the joint 88 shown in FIG. 12 may be constructed in substantially the same manner as the joint shown in FIG. 7.

FIGS. 15 and 16 show another modification of the joint 88 shown in FIGS. 7 and 8, wherein drainage grooves 116 are arranged so as to be spaced from each other at a large

distance as compared with the joint shown in FIG. 12. The remaining part of the joint shown in FIG. 12 may be constructed in substantially the same manner as that shown in FIG. 15.

FIGS. 17 and 18 show a further modification of the joint 88 shown in FIGS. 7 and 8, wherein drainage grooves 116 each are formed stepwise in a horizontal direction. The remaining part of the modification may be constructed in substantially the same manner as the joint shown in FIGS. 15 and 16.

FIG. 19 shows an essential part of still another modification of the joint 88. In a joint 88 of the modification, second rising portions 92B each are formed with an extension 120 which outwardly extends beyond the second rising portion 68 of each of the lateral connection sections 62 of the roof plate 58. The extension 120 is fixed on the lower fixture 22 using any suitable securing means such as a bolt or the like, to thereby secure the joint 88 with respect to the fixture combination and roof plate.

As can be seen from the foregoing, the roof plate for lateral roofing of the present invention comprises the plate body formed into a predetermined length in the longitudinal direction, the lateral rising connection sections provided on both lateral sides of the plate body, and the longitudinal connection sections provided on both longitudinal ends of the plate body, wherein the longitudinal connection sections include the eaves side connection section and the ridge side connection section, with the ridge side connection section including the downwardly oblique portion and the support portion outwardly extending from the downwardly oblique portion and the eaves side connection section including the engagement portion formed by inwardly folding the eaves side end of the plate body to define the gap therein, whereby the ridge side connection section and eaves side connection section of the roof plates longitudinally adjacent to each other are longitudinally connected to each other in turn for the purpose of assembling a roof.

Such construction permits the connection sections of the roof plate to exhibit increased strength against a wind pressure, resulting in wind from lifting the roof plate through the connection regions between the roof plates longitudinally connected to each other. Also, it effectively prevents rainwater from entering the connection region between the roof plates due to a capillary action, to thereby improve water-tightness and durability of the roof plate.

Also, the present invention may be so constructed that the first rising portion of each of the lateral connection sections of the roof plate may be formed into a height of about 8 mm or more, but less than about one third as large as the whole lateral connection section. Such construction more effectively prevents rainwater from entering the connection region between the roof plate elements laterally connected to each other.

While a preferred embodiment of the invention has been described with a certain degree of particularity with reference to the drawings, obvious modifications and variations are possible in light of the above teachings. It is therefore to be understood that within the scope of the appended claims, the invention may be practiced otherwise than as specifically described.

What is claimed is:

1. A roof plate for longitudinal roofing, comprising:

- a plate body including two longitudinal ends and two lateral sides and being formed into a predetermined length in a longitudinal direction;
- lateral rising connection sections provided on both lateral sides of said plate body; and

11

longitudinal connection sections provided on both longitudinal ends of said plate body;

said longitudinal connection sections including an eaves side connection section and a ridge side connection section;

said ridge side connection section including a downwardly oblique portion and a support portion extending in a ridge side direction from said downwardly oblique portion;

said eaves side connection section including an engagement portion formed by downwardly folding an eaves side end of said plate body;

whereby the ridge side connection section and eaves side connection section of the roof plates which are longitudinally adjacent to each other may be longitudinally connected to each other in turn for the purpose of assembling a roof.

2. A roof plate as defined in claim 1, wherein said plate body is substantially flat.

3. A roof plate as defined in claim 1, wherein said support portion of said ridge side connection section is formed with a plurality of strip-like projections laterally extending in parallel to each other at predetermined intervals and formed at a distal end thereof with a strip-like raised portion laterally extending.

4. A roof plate as defined in claim 3, wherein said strip-like projections each are provided with at least one discontinuity.

5. A roof plate as defined in claim 3 or 4, wherein said strip-like projections and raised portion are formed so as to extend to each of said lateral connection sections.

6. A roof plate as defined in claim 1, wherein the longitudinal connection between said ridge side connection section and eaves side connection section of the roof plate elements longitudinally adjacent to each other is carried out by means of a joint.

7. A roof plate as defined in claim 1, wherein said lateral connection section of said roof plate element each include a first rising portion upwardly extending from said plate body, a horizontal portion outwardly projecting from an upper end of said first rising portion and acting as a step, and a second rising portion upwardly extending from an outer end of said horizontal portion.

8. A roof plate as defined in claim 7, wherein said first rising portion is formed into a height of about 8 mm or more, but less than about one third as large as said lateral connection section.

9. A roof plate as defined in claim 7, wherein said downward folding of said eaves side end of said plate body for forming said engagement portion of said eaves side connection section is carried out so as to define a gap in said engagement portion.

10. A roof plate as defined in claim 7, wherein said second rising portion of said lateral connection section is inwardly folded at an upper end thereof to form a water sealing portion.

11. A roof plate as defined in claim 3, wherein said strip-like projections and raised portion each are so formed that an upper surface thereof is positioned below an upper surface of said plate body.

12. A roof plate as defined in claim 4, wherein said discontinuities of said projections are positioned so as not to positionally align with each other.

12

13. A roof plate for longitudinal roofing, comprising: a plate body including two longitudinal ends and two lateral sides and being formed into a predetermined length in a longitudinal direction;

lateral rising connection sections provided on both lateral sides of said plate body; and

longitudinal connection sections provided on both longitudinal ends of said plate body;

said longitudinal connection sections including an eaves side connection section and a ridge side connection section;

said ridge side connection section including a downwardly oblique portion and a support portion extending in a ridge side direction from said downwardly oblique portion;

said eaves side connection section including an engagement portion formed by downwardly folding an eaves side end of said plate body;

said ridge side connection section having an upper surface defined at a position lower than an upper surface of said plate body;

whereby the ridge side connection section and eaves side connection section of the roof plates which are longitudinally adjacent to each other may be longitudinally connected to each other in turn for the purpose of assembling a roof.

14. A roof plate for longitudinal roofing, comprising:

a plate body including two longitudinal ends and two lateral sides and being formed into a predetermined length in a longitudinal direction;

lateral rising connection sections provided on both lateral sides of said plate body; and

longitudinal connection sections provided on both longitudinal ends of said plate body;

said longitudinal connection sections including an eaves side connection section and a ridge side connection section;

said ridge side connection section including a downwardly oblique portion and a support portion extending in a ridge side direction from said downwardly oblique portion;

said support portion of said ridge side connection section having a plurality of strip-like projections laterally extending in parallel to each other at predetermined intervals and formed at a distal end thereof with a strip-like raised portion laterally extending;

said strip-like projections and raised portion each being formed so that an upper surface thereof is positioned below an upper surface of said plate body;

said eaves side connection section including an engagement portion formed by downwardly folding an eaves side end of said plate body;

whereby the ridge side connection section and eaves side connection section of the roof plates which are longitudinally adjacent to each other may be longitudinally connected to each other in turn for the purpose of assembling a roof.

\* \* \* \* \*

UNITED STATES PATENT AND TRADEMARK OFFICE  
**CERTIFICATE OF CORRECTION**

PATENT NO. : 5,584,155  
DATED : December 17, 1996  
INVENTOR(S) : Satoru Watanabe

It is certified that error appears in the above-identified patent and that said Letters Patent is hereby corrected as shown below:

On the title page: Item

[73] Assignee: Gantan Beauty Industry Co., Ltd.,  
Fujisawa, Japan

Signed and Sealed this  
Fourth Day of March, 1997

Attest:



BRUCE LEHMAN

Attesting Officer

Commissioner of Patents and Trademarks